


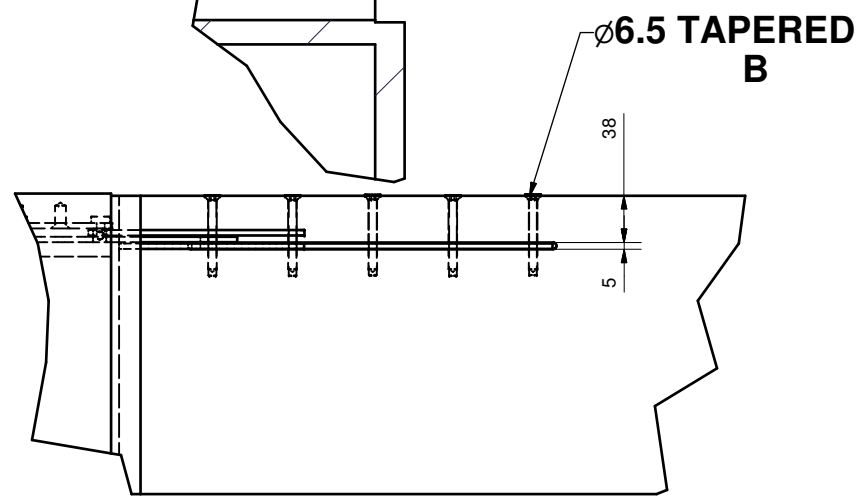
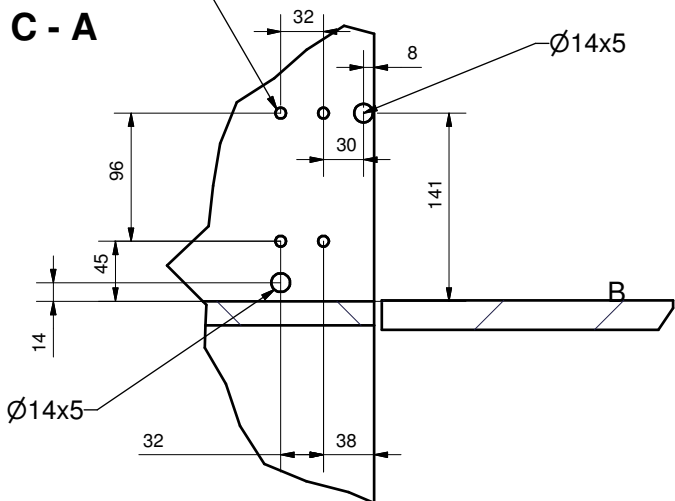
A  M6x16 - (x8)

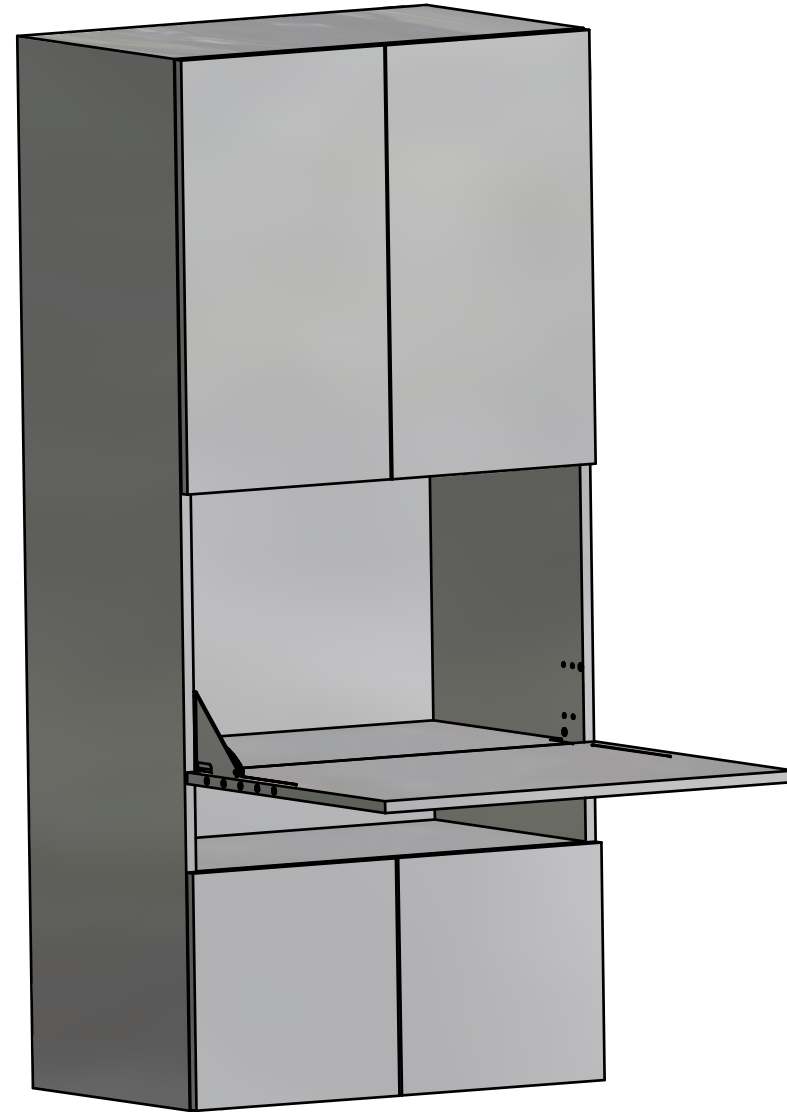
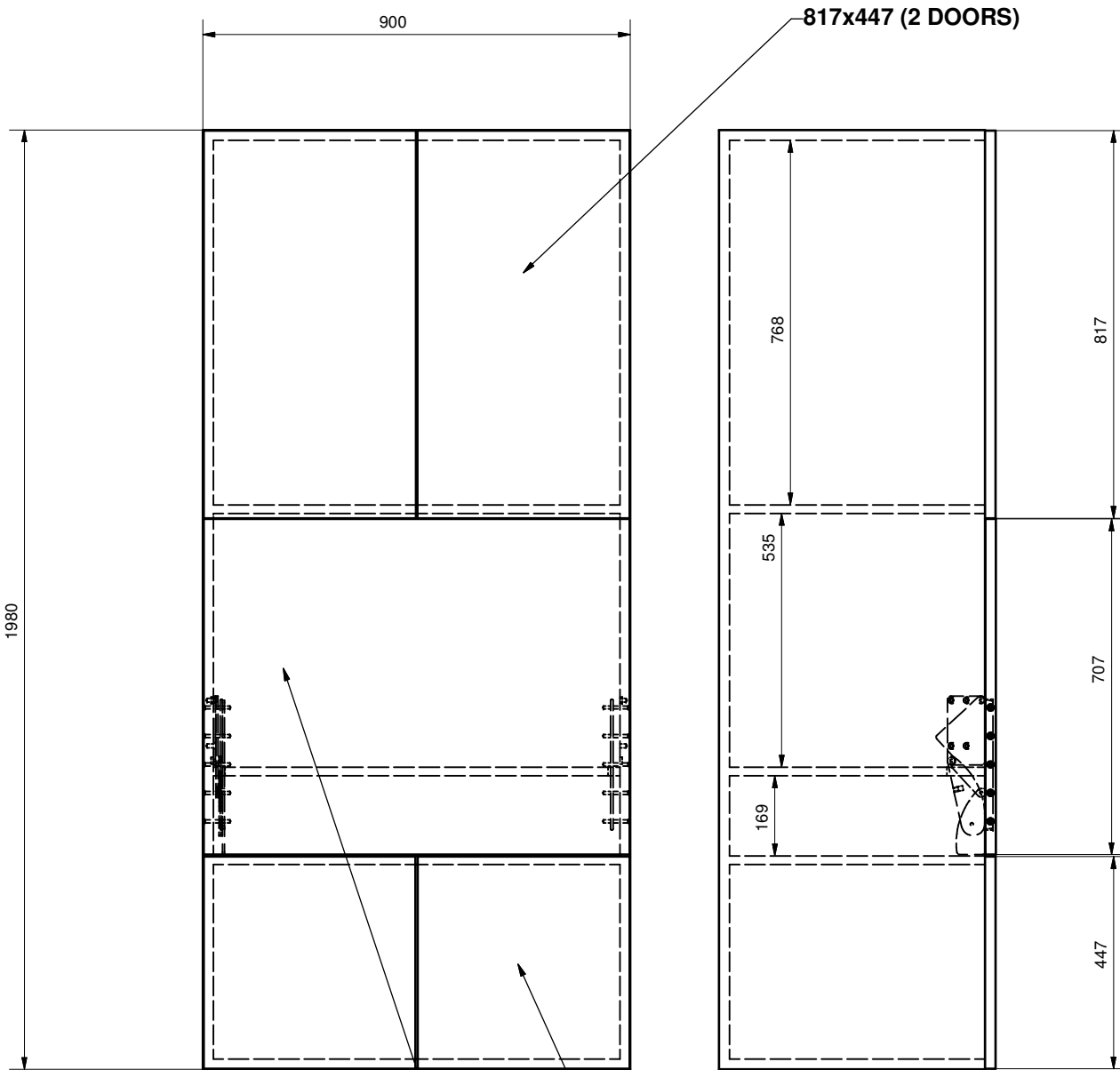
B  M6x60 - (x10)

C  M6 - (x8)

 n° 4 - (x1)

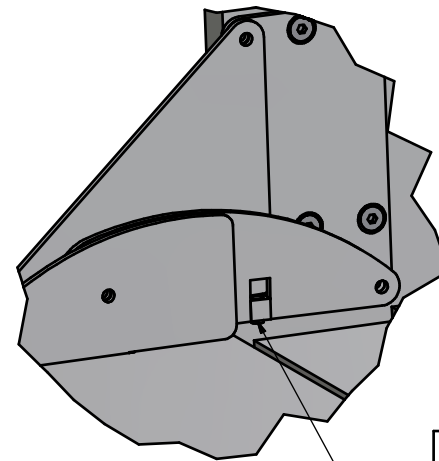
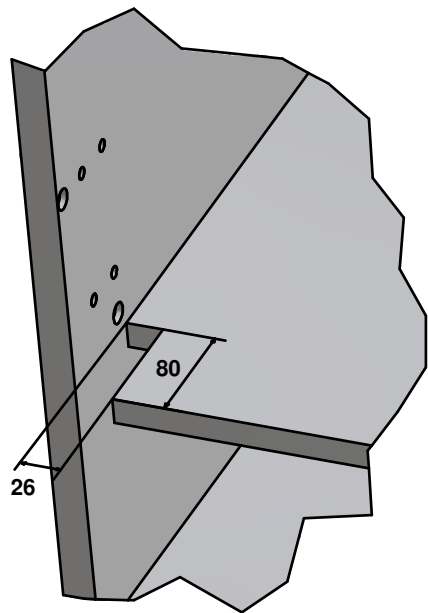
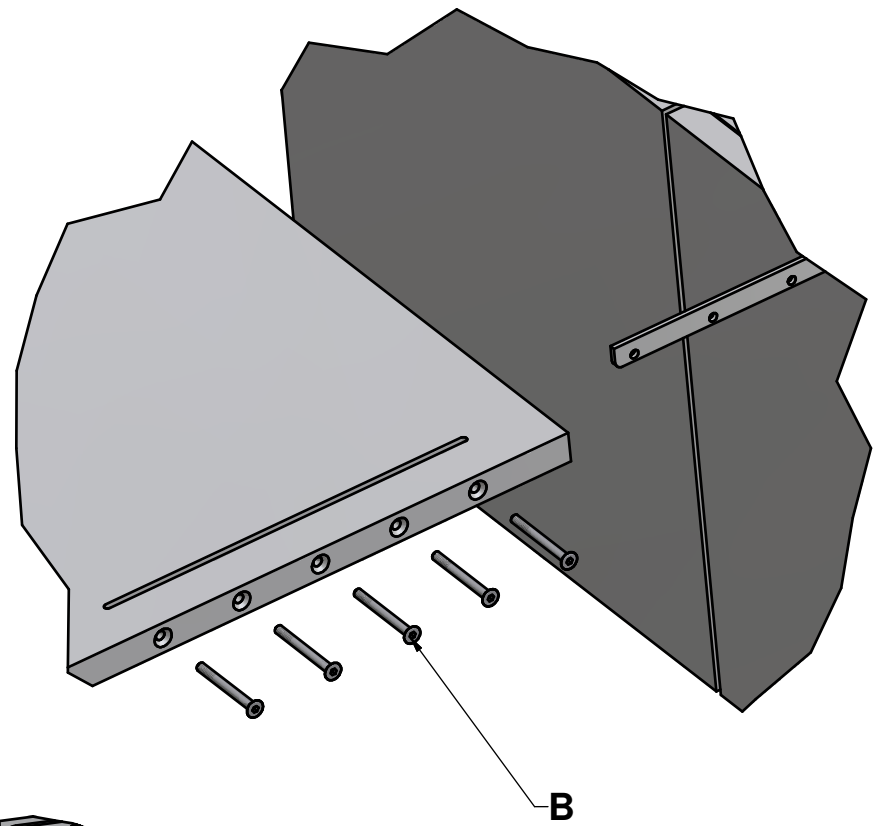
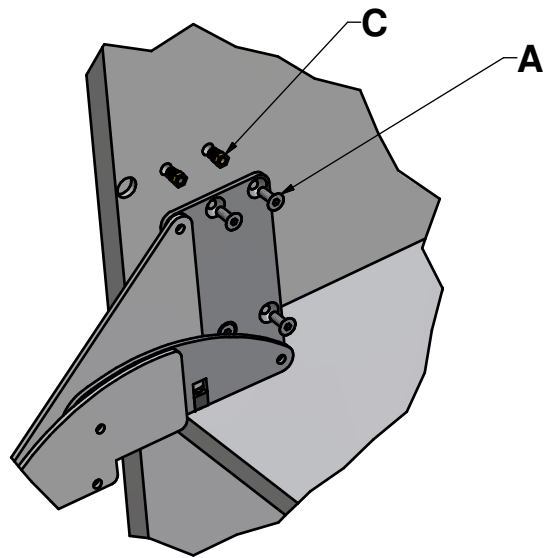
n. 4 $\varnothing 8 \times 13$
(FOR M6 BUSHES)





448x447 (2 DOORS)

PLANE 897x707 THICKNESS: 22



FOR DOOR HEIGHT REGULATION TURN THIS
GRAIN USING A n° 3 ALLEN KEY (NOT INCLUDED)
(ONE GRAIN ON EACH SIDE)