

Introduction

USB 2.0 HUB is a super speed USB 2.0 independent HUB. Adopts TERMINUS FEL1.1S mainstream chipset. You can expand multiple USB2.0 interfaces in your PC.

Specification:

Name	USB 2.0 HUB
Input	—
Interface	USB 2.0 B type male port / USB A type female port
Operating Environment	Working: 0–50 °C; Storage: -20–60 °C
Dimension	49.0*44.0*32.5 (mm)
Weight	30g
System Requirement	Windows xp / vista / 7 / 8; MAC OS; Linux

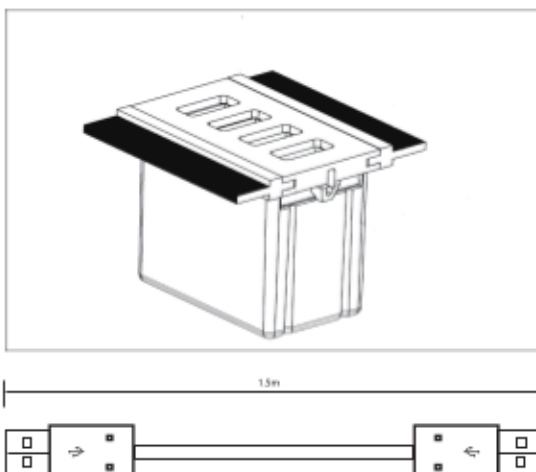
Features:

1. Multiple USB 2.0 interface supports Plug and Play, hot-swap.
2. Supports over current and instant current protection, protects the connected devices and HUB itself.
3. Supports USB 2.0 super speed (480Mbps) transmission, downwards compatible USB 2.0/1.1.
4. Driver free, supports windows xp/vista/7/8 and Mac OS, linux.

Package Contents:

1. USB 2.0 HUB.....x 1
2. USB 2.0 Data Cable.....x 1
3. Brush.....x 2
4. User Manual.....x 1

Structure



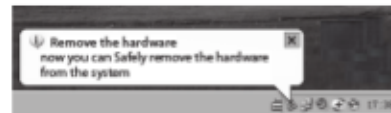
User Operation

1. USB HUB connection:
 - a) Connect USB-A type cable with computer USB interface, plug USB 2.0-B type female interface in HUB
2. Device connection:
 - a) Insert USB device into the HUB. An icon will appear in toolbar at the lower right corner of screen.



Note: When you need to exit the device, please stop data transfer.

- a) Right-click the hardware icon at the right lower corner of screen, select "Eject the USB device", safely remove the device.



Application:

USB 2.0 HUB supports simultaneous connection of four high-speed USB 2.0 interface devices, with speed up to 480Mbps.

Note:

This product may not be exposed to strokes. Neither must it be exposed to direct sunshine, high temperatures nor damp environment. Our company does not undertake any liability and does not offer any compensation, if the product has been improperly used or exposed to extreme conditions and/or treatment.