

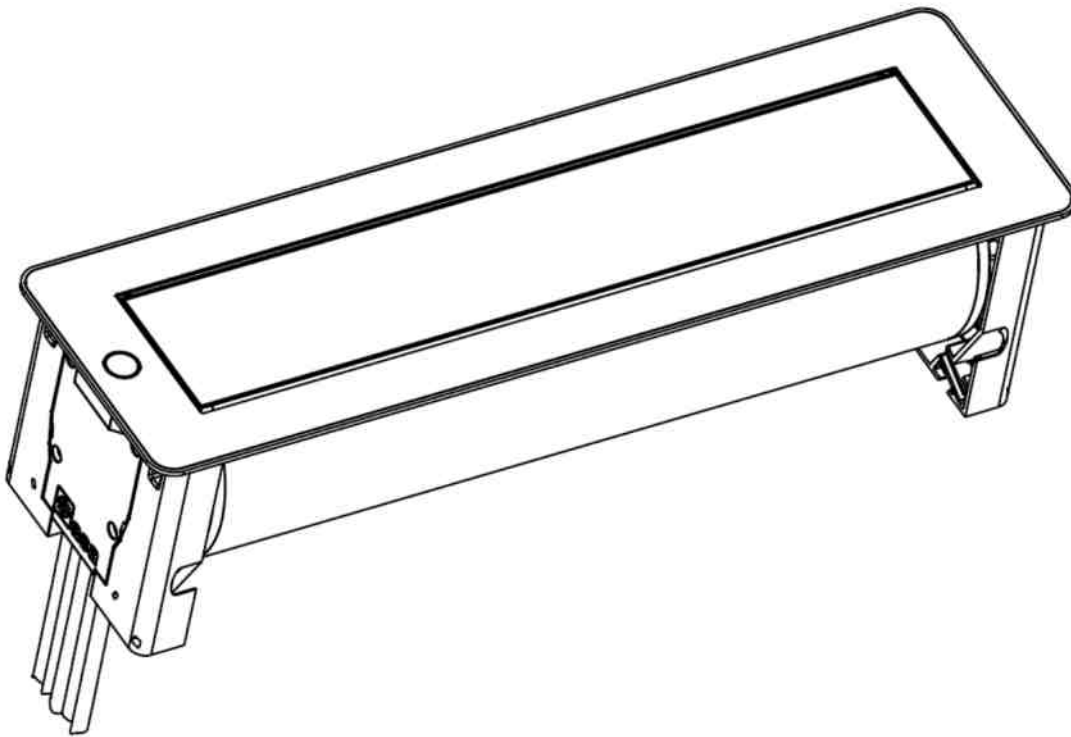


www.bpfonline.co.uk



- INTERIOR UPSCALING -

VERSATURN MANUAL & INSTRUCTIONS



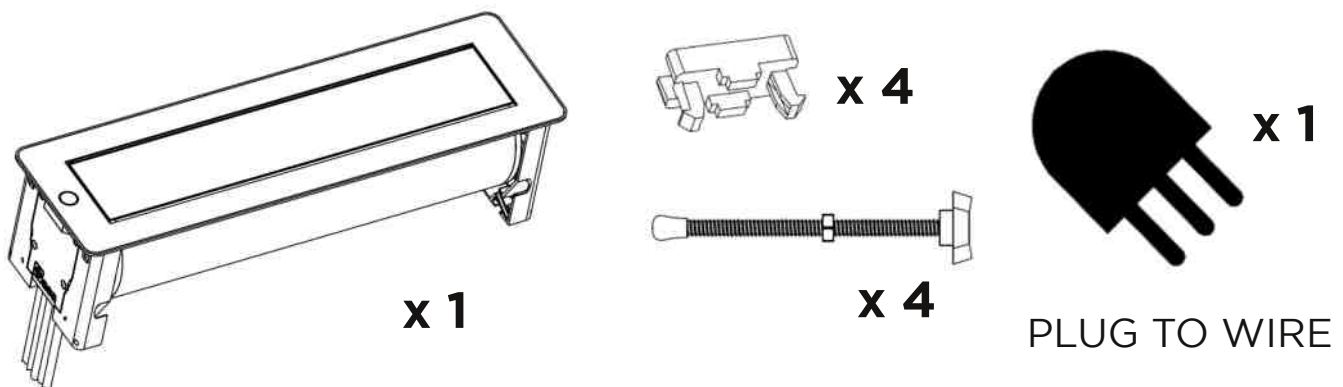
Versaturn is a desktop / worktop power and multifunction data system accompanied by a motorised revolving feature. The unit includes side sensors to prevent accidental closing when there are plugs inserted or objects interfering with the interface.



SAFETY INSTRUCTIONS


- Before proceeding, refer to the installation instructions and read carefully the safety precautions.
- To reduce the risk of electrical shock - use only indoors.
- To reduce the risk of electrical shock - disconnect power to the receptacle before installing or removing the unit.
- Do not attempt to open or repair the device yourself. There are no user-serviceable parts inside.
- Do not plug in equipment that exceeds the amperage rating indicated on the product's label.
- This appliance must be connected to a main socket correctly installed and provided with ground connection in accordance with current norms.
- Do not use the product with extension cords or adapters that could eliminate its connection to ground.
- Do not use or store the product in particularly hot/cold environments. Avoid exposure to humidity, dust, excessive heat or direct sunlight.
- If the product is mounted in areas at risk of contact with water, it is necessary to apply silicone or similar sealants on the panel where the frame stands.
- Do not use the product if the surrounding area is wet. If you have spilled liquid into the product, disconnect the plug from the wall outlet and contact qualified personnel.
- Avoid rough handling, strong shocks or impacts. Never use the product if it is damaged.
- Do not cover or place objects on or near that can block the functionality of the product.

CONTENTS



INSTALLATION STEPS

Mount the plug on the cable.

 **Warning:** The installation of the plug and any connection to the main electricity grid must be performed only by authorised personnel.


 **Warning:** Use the device only and exclusively after, it has been mounted and secured with the thumbscrews.

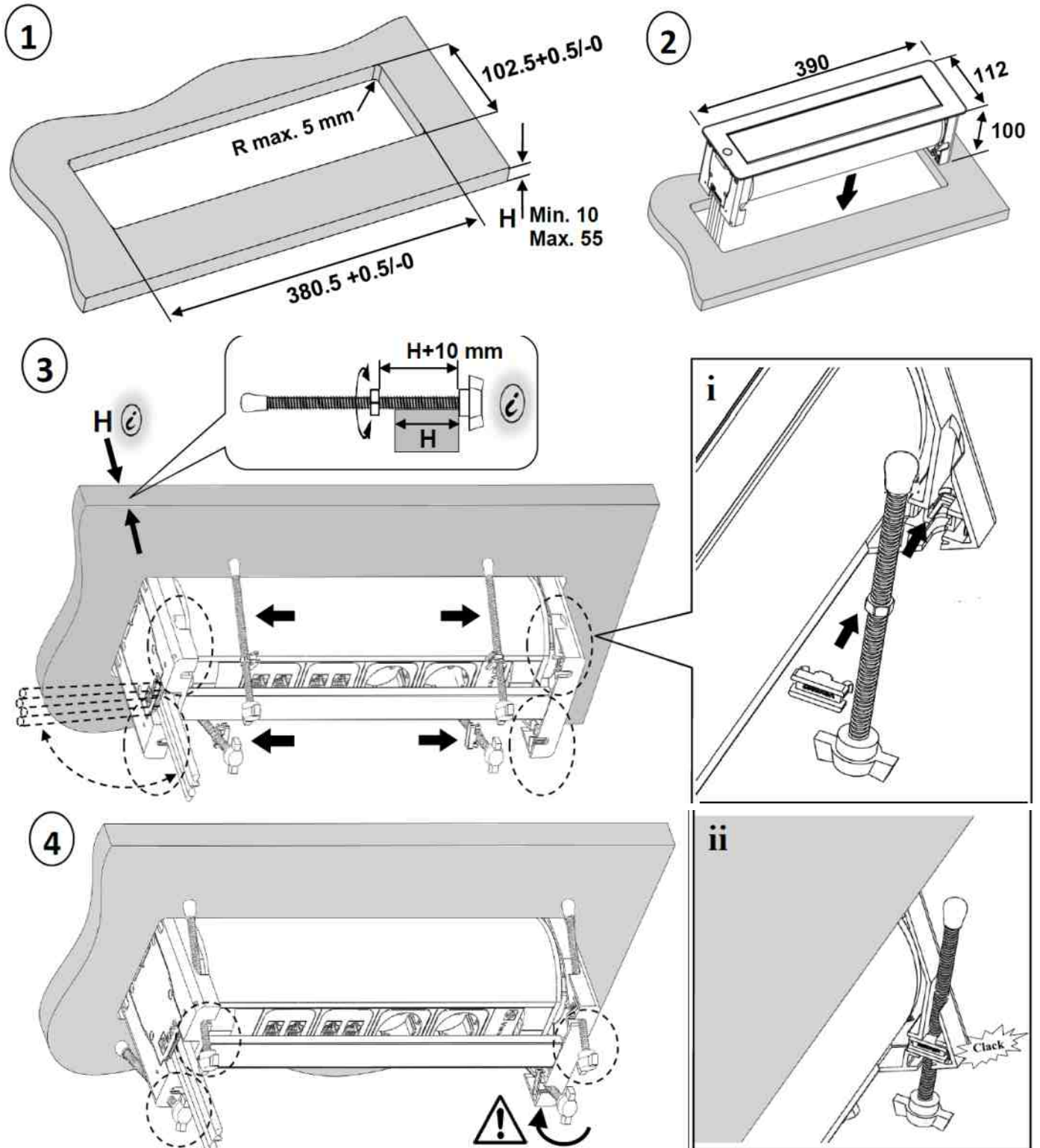
1. Perform the cutting in the mounting panel.
2. Insert the cables and the device into the panel cutout.
3. Perform the adjustment the thumbscrews by unscrewing / screwing the nuts according to the thickness of the panel as shown in Figure 3. Insert the thumbscrews in the four fixing points and snap-in the locking caps.
4. Manually screw the four butterfly flyers against the panel. Once again, tighten without applying too much force.
5. Insert the plug into the wall socket. When the touch button turns blue, it means that is product is powered ON.
6. By lightly placing the finger on the blue circllet, the product performs a rotation of 180 ° back and forth for opening or closing. In the open or closed position, the touch button has a blue colour. During the rotation, the button changes colour from blue to flashing red.
7. The product is provided with lateral safety sensors that detect the presence of the plugs, preventing the accidental closing of the product when these are inserted.

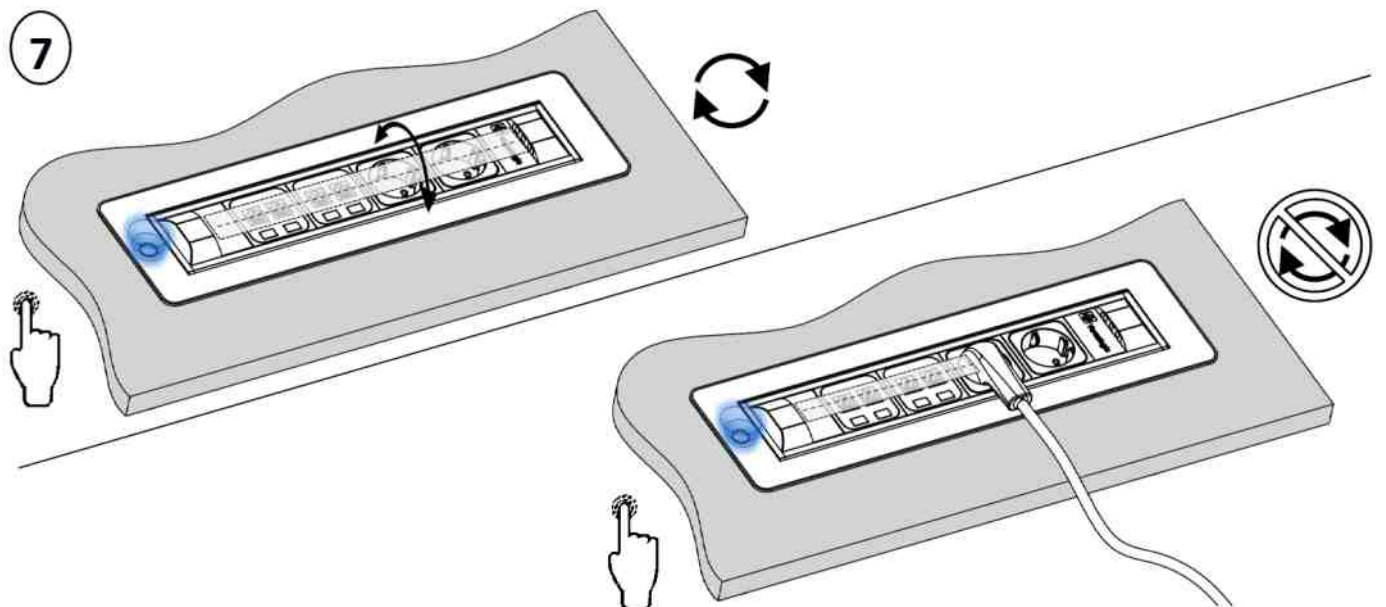
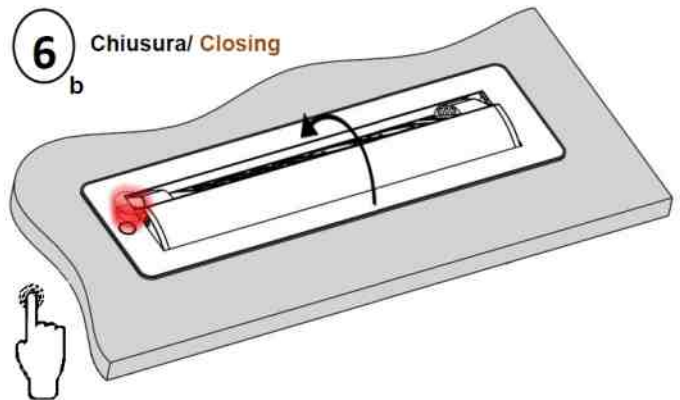
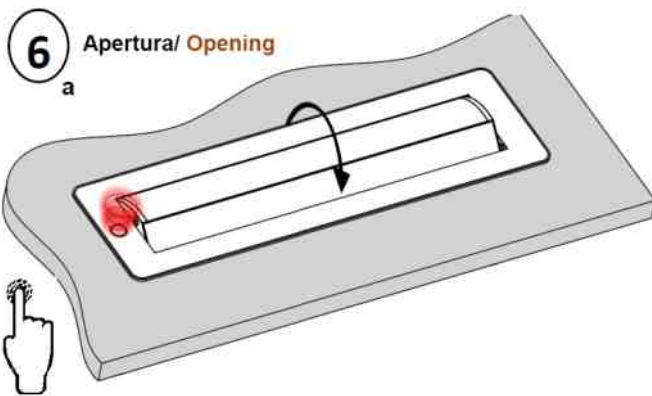
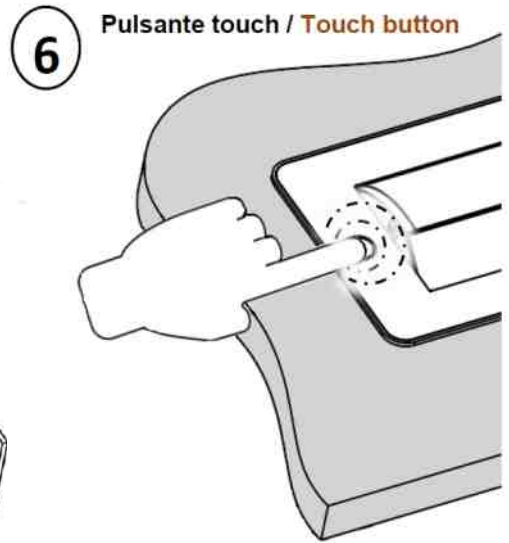
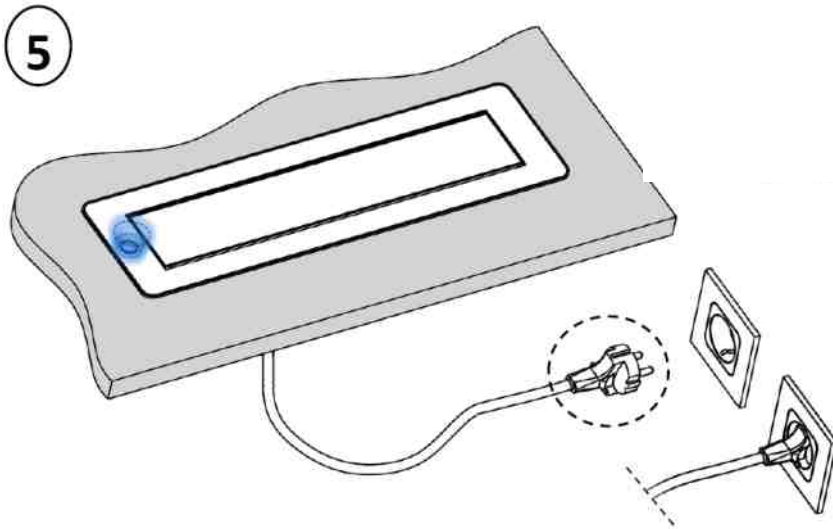
During the opening phase, if there are devices connected and the button is touched, deliberately or accidentally, the product does not turn because as there is an obstacle that interferes with the safety sensors.


If during the rotation, an obstacle should interfere with the sensors or with the rotating part, the device stops and turns back.

The stall torque of the motor was specifically set, In order to be possible to manually rotate the device in the case of abnormal stop, unexpected power interruption or other unexpected events that may affect the safety of the user.

 **Warning:** Use the device only and exclusively after it has been mounted and secured with the thumbscrews. All dimensions are stated in millimetres (mm)





SPECIFICATIONS			
Input Voltage	Max. 250v AC, 60-60Hz	Degree of Protection	IP20 In Open / Close position
Max Load	Max. 16A	Operating Environment	Indoor 
Max Load	Up to 3400w	Dimensions	390 (H) x 112 (W) x 100 (L) mm

Follow the specifications listed on the product's label. The specifics may vary, as the product is customizable by type of sockets.

MAINTENANCE

Before cleaning, always disconnect the power supply, as the unit can rotate if the touch button is touched. Clean these products with a soft dry cloth or moistened with water or alcohol. Must be avoided scouring pads / sponges / cloths abrasive or aggressive and / or corrosive cleaners. Do not disassemble or modify the device in any way, or the warranty may be voided. All product repairs must be performed or approved by BOX15 or BPF. **Unauthorized repairs will void the warranty.**



WEEE - Waste of electric and electronic equipment. These products must be recycled properly and should not be disposed as household waste. Disposal in general household waste is prohibited.

The material in this manual is for informational purposes only. All product dimensions and specifications are subject to change without notice.